

UW Series

Flexible, affordable standard workstation platform for Laser Marking Applications



- Can be integrated with any of ROFIN's laser sources, including the PowerLine F Fiber and air-cooled PowerLine E lasers
- Ergonomic Design; Small Footprint
- Flexible Configuration
- Excellent Value; Quick Delivery

The UW Series of modular, standard workstations are available in UW-180, UW-180 Open-Frame, and UW-150 Rotary-table versions. Developed to address industry's requirement for a low-cost Class 1 laser marking solution, the UW Series workstations offer significant advantages.

This family of modular workstations offer sturdy construction for long-term use, ergonomically correct designs for ease of use and conformance to applicable CDRH, ANSI, NFPA-79, and OSHA Standards for operational safety during their use.

The UW Series Workstations are designed for integration with Rofin's laser sources for non-contact, direct, permanent laser marking on parts of all shapes and sizes and of virtually any material.

When combined with a UW Series workstation, each RS-Marker laser becomes a fully integrated Laser Marking System. Depending upon the laser source model, the UW models are capable of accommodating numerous parts handling options, including manual/motorized Z-axis, circumferential marking packages, multi-axis tables, and other options.

UW Series Workstations are built for easy installation and maintenance. The integrated laser is accessed for routine servicing via removable panels at the side, top and back of the enclosure. The parts processing chamber is accessed through a safety-interlocked sliding door or light-curtain. UW Series Workstations offer you unsurpassed value and performance.

Experience—The Mark of Excellence.

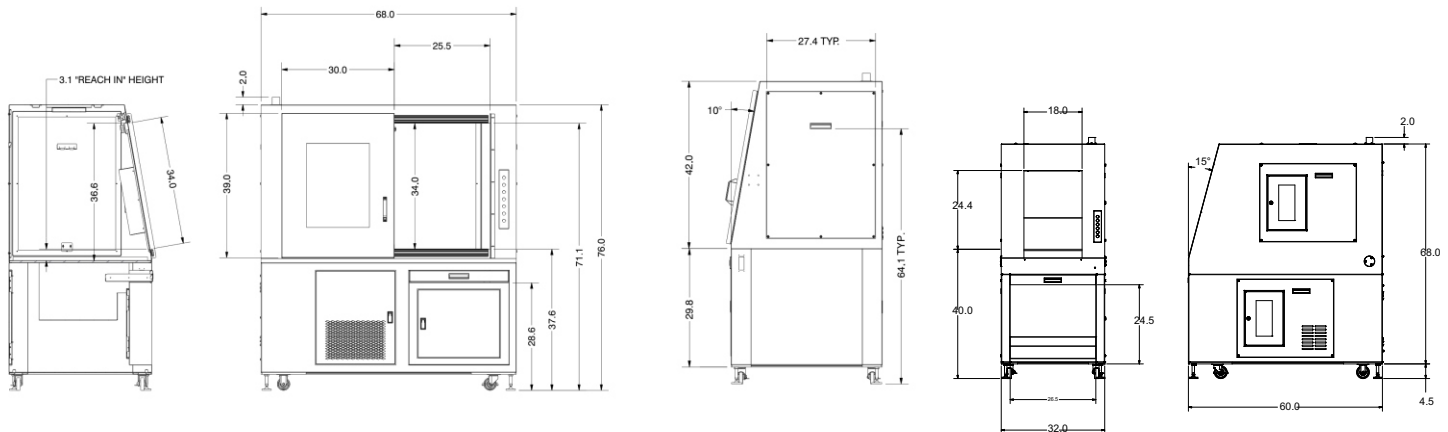


UW-180 Open



UW-150 Rotary

UW Series, Workstations for Laser Marking Applications



Dimensions, UW-180

Height: 76"
Width: 68"
Depth: 38.0"
Work Envelope: XYZ, 30" x 30" x 19"
Max distance between base plate and galvo box: 22"

Dimensions, UW-150 RT Rotary

Height: 70"
Width: 32"
Depth: 60.0"

Standard Features for all UW models:

- Manual Z axis, internal adjustment
- 3 ports for fume extraction
- Interlocked manual lifting door
- 12"x12" viewing window
- Central lighting (fluorescent)
- 17" Flat screen monitor with flex-arm screen
- Start/Stop, E-stop
- Adjustable feet
- Casters
- Bar code programs and other input devices accommodated as options
- 180 x 180mm mark field size standard; 120 x 120mm option

UW-180 Version: Includes all standard features shown, plus:

- 12" x 12" X-Y stages with stepping motors, programmable
- Work envelope, 30"W x 30"D (height is lens dependent)
- Options: Rotary Axis

UW-150 RT Version: Includes all standard features shown, plus:

- 28" diameter Dial plate with indexer, pre-drilled and tapped
- 2-position rotary with 6" standard baffle
- Light curtain
- Screen, fixed at front and top
- Options: The RT version includes the same options as the UW-180 Version, plus:
 - Z-motorized/programmable
 - Z handle outside of enclosure
 - Light "gooseneck"

MARKING

ROFIN-BAASEL, Inc.
68 Barnum Road
Devens, MA 01434-3508
Tel: +(978) 635-9100
Fax: +(978) 635-9199
www.ROFIN.com
info@rofin-baasel.com