



DIAMOND C-30 Series

Low Power CO₂ OEM Lasers for Marking and Engraving Applications

The Coherent C-30 CO₂ laser provides 30 Watts of power with best-in-class reliability and package size, making it the OEM laser of choice for high performance laser marking and engraving systems. This production-ready, easy-to-integrate laser system enables high quality laser marking with low maintenance and operating costs. The C-30 is ideal for laser processing of many materials, including paper, plastics, wood, rubber, leather, cloth and more.

The C-30 is part of the Coherent C-Series family of products which offer a full range of power levels – from 20W to 70W. Based on a sealed waveguide and integrated RF power supply design, the C-30 boasts outstanding production-proven reliability (lifetime >50,000 hours), while delivering superior beam quality and power stability in a compact, flexible and integrated package. The modular platform design provides cost-effective optimization of operating wavelength (from 9.3 to 10.6 μm) and cooling configuration (air/liquid), enabling rapid adapt-ability to changing applications and market needs.

FEATURES

- Superior beam quality, power stability and rugged reliability
- Industry leading compact size with integrated RF power supply
- High performance at multiple wavelengths - 9.3 μm , 10.2 μm , and 10.6 μm
- Wide power range with constant wave (CW) or pulse width modulation (PWM) control
- Air and liquid cooled configurations available
- High quality laser processing on a wide range of materials

APPLICATIONS

- Marking
- Engraving
- Cutting



SPECIFICATIONS ¹	DIAMOND C-30A (9.3 μm)	DIAMOND C-30A (10.2 μm)	DIAMOND C-30A	DIAMOND C-30L (9.3 μm)	DIAMOND C-30L
Wavelength (μm)	9.24 to 9.35	10.11 to 10.31	10.55 to 10.63	9.24 to 9.35	10.55 to 10.63
Optical Output Power ¹ (W)	17	30	30	17	30
Power Stability ² (%)	±5				
Mode Quality (M ²)	<1.2				
Beam Size (mm)	1.8 ±0.2				
Beam Divergence (mrad, full angle)	7.5 ±0.5				
Polarization	>100 to 1 (fixed linear, parallel to width dimension)				
Operating Frequency and Duty Cycle	0 to 100 kHz, 0 to 100% DC				
CONFIGURATION AND FACILITY REQUIREMENTS					
Weight	6.6 kg (14.5 lbs.)			6.2 kg (13.6 lbs.)	
Dimensions (L x W x H)	357 x 92.5 x 154.5 mm (14.1 x 3.64 x 6.08 in.)			393 x 92.5 x 104.1 mm (15.48 x 3.64 x 4.1 in.) ³	
Input Power ⁴	48 VDC, 11.5A				
Cooling	Air			Liquid	
Heat Dissipation (W)	<575				
Maximum Case Temperature	<60°C (140°F)				
Operating Environment	5 to 40°C (41 to 113°F)				
Temperature	5 to 40°C (41 to 113°F)				
Altitude	<2000 m (6500 ft.)				
Humidity	Non-condensing				
Shipping/Storage Environment	-10 to 60°C (14 to 140°F), non-condensing				
Coolant				Distilled water with 25 to 35% Dow Frost*	
Coolant Flow Rate				>3.8 lpm (1.0 gpm)	
Maximum Coolant Pressure				6.9 bar (100 psig)	
Max. Pressure Differential (at 1.0 gpm)				1.5 bar (22 psig)	
Coolant Temperature				15 to 30°C (59 to 86°F)	

¹ Power measured at 25°C and derated by 1%/C for higher laser head temperatures.

² Power stability based on $\pm(P_{max} - P_{min})/(2*P_{max})$ average power measurement at constant duty cycle after 10-minute warm-up at operating condition.

³ The overall height dimension is taller for the Dual Chillplate version of this item.

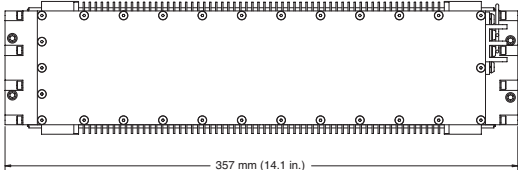
⁴ Optional fans add 1A.

* Dow Frost is a trademark of the Dow Chemical Company.

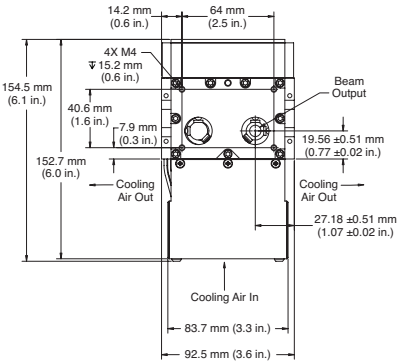
MECHANICAL SPECIFICATIONS

DIAMOND C-30A
Laser Head

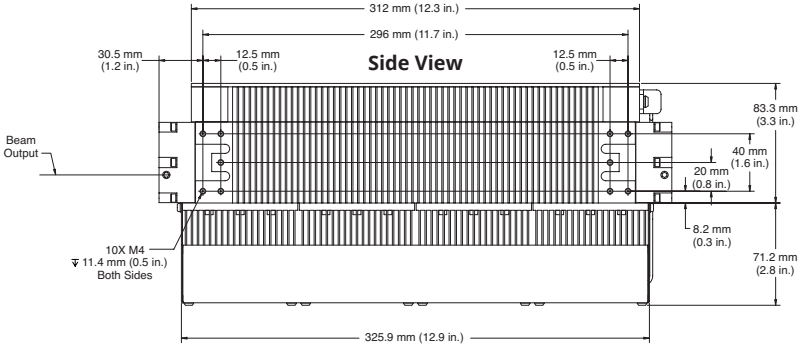
Top View



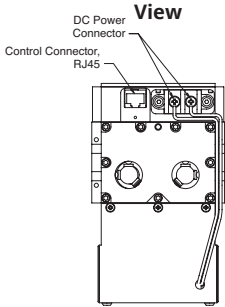
Front View



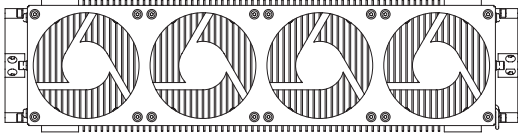
Side View



Rear View

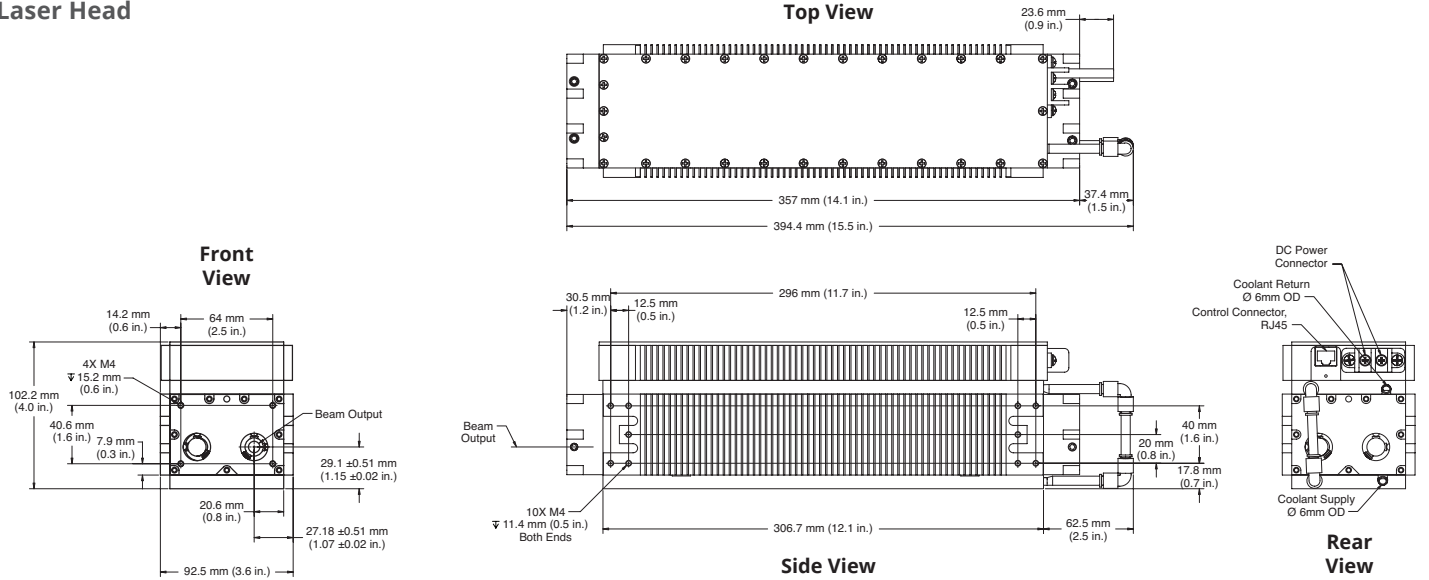


Bottom View



MECHANICAL SPECIFICATIONS

DIAMOND C-30L
Laser Head



Coherent, Inc.,
5100 Patrick Henry Drive Santa Clara, CA 95054
p. (800) 527-3786 | (408) 764-4983
f. (408) 764-4646

tech.sales@Coherent.com www.Coherent.com

All specifications subject to change without notice. Coherent, Inc. warrants to the original purchaser for a period of two years from the date of delivery that the DIAMOND J-2 Series product is free from defects in material and workmanship. The warranty does not apply to any unit damaged by accident, abuse or operation in a manner inconsistent with the procedures and specifications outlined in the manual supplied with the laser.

The DIAMOND C-20 CO₂ laser is a component that does not include all safety features as required by the FDA and the Center for Devices and Radiological Health (CDRH). It is sold solely to qualified manufacturers who in their end product will supply all interlocks and indicators, and will comply fully with CDRH regulations and/or local regulatory agencies. Printed in the U.S.A. MC-031-14-0M0817Rev.B Copyright ©2017 Coherent, Inc.

