



FAP 800 Series

High-Brightness Fiber-Coupled Bars

Fiber Array Packages (FAP) from Coherent are the highest quality fiber-coupled diode lasers in the industry, offering you the simplest way of delivering the output from a diode laser bar to your application.

The FAP 800 series consists of a 19-element conduction-cooled diode laser bar, lensed and coupled to an 800 μm , multimode fiber bundle array.

FEATURES

- High reliability
- High efficiency
- High brightness
- Rugged construction

APPLICATIONS

- Solid-State Laser Pumping
- Plastic Welding
- Soldering
- Heating



SPECIFICATIONS ¹	FAP800-L-30W-803.0 to809.0-F<3.0-25C	FAP800-30W-805.0 to811.0-F<3.5-25C	FAP800-30W-805.0 to811.0-F<3.5-25C
Part Number	1065526	1059281	1071370
OPTICAL SPECIFICATIONS			
CW Output Power (W)	25	30	30
Center Wavelength ² (nm)	807.5	808	940
Center Wavelength Tolerance (nm)	±2.5	±3.0	±2.0
Spectral Width ² (nm)	<2.5	<3.5	<6.0
Wavelength Temperature Coefficient (nm/°C)	0.28	0.28	0.35
Beam Divergence ³ (NA)	<0.14	<0.14	<0.16
Beam Diameter (µm)	810	810	810
ELECTRICAL CHARACTERISTICS (typical)			
Slope Efficiency (W/A)	>0.8	>0.8	>0.75
Conversion Efficiency (%)	>35	>35	>35
Threshold Current (A)	8 to 11	8 to 11	4 to 7
Operating Current (A)	<28	<46	<46
Operating Voltage (V)	<2.1	<2.1	<2.2
Recommended Hookup Wire (gauge)	8 or heavier	8 or heavier	8 or heavier
THERMAL SPECIFICATIONS			
Thermal Resistance (typical) (°C/W)	0.7	0.7	0.7
Case Operating Temperature (°C)	-20 to 30	-20 to 30	-20 to 30
Case Storage Temperature (°C)	-20 to 60	-20 to 60	-20 to 60
RECOMMENDED HEAT SINK			
Capacity (W)	100	100	100
Thermal Resistance (°C/W)	<0.1	<0.1	<0.1
MECHANICAL SPECIFICATIONS			
Weight	300 g (10.3 oz.)	300 g (10.3 oz.)	300 g (10.3 oz.)
Fiber Connector	SMA 905	SMA 905	SMA 905

¹ All values measured at case temperature (TC) = 25°C.

² Custom center wavelengths and custom spectral widths are available, some from stock. Consult your Coherent representative.

³ The numerical aperture of the output beam is defined as the sine of the half-angle of the divergence cone that encircles 90% of the energy.

SPECIFICATIONS ¹	FAP800-40W-805.0 to811.0-F<3.5-25C	FAP800-R-40W-930.0 to950.0-F<6.0-25C	FAP800-R-40W-970.0 to990.0-F<6.0-25C
Part Number	1057814	1082408	1082412
OPTICAL SPECIFICATIONS			
CW Output Power (W)	40	40	40
Center Wavelength ² (nm)	808	940	980
Center Wavelength Tolerance (nm)	±3.0	±10.0	±10.0
Spectral Width ² (nm)	<3.5	<6.0	<6.0
Wavelength Temperature Coefficient (nm/°C)	0.28	0.28	0.28
Beam Divergence ³ (NA)	<0.14	<0.11	<0.11
Beam Diameter (µm)	810	810	810
ELECTRICAL CHARACTERISTICS (typical)			
Slope Efficiency (W/A)	>0.8	>0.8	>0.8
Conversion Efficiency (%)	>35	>50	>50
Threshold Current (A)	9 to 13	<8	<7
Operating Current (A)	<53	<54	<54
Operating Voltage (V)	<2.2	<1.7	<1.7
Recommended Hookup Wire (gauge)	8 or heavier	8 or heavier	8 or heavier
THERMAL SPECIFICATIONS			
Thermal Resistance (typical) (°C/W)	0.7	0.7	0.7
Case Operating Temperature (°C)	-20 to 30	-20 to 30	-20 to 30
Case Storage Temperature (°C)	-20 to 60	-20 to 60	-20 to 60
RECOMMENDED HEAT SINK			
Capacity (W)	100	100	100
Thermal Resistance (°C/W)	<0.1	<0.1	<0.1
MECHANICAL SPECIFICATIONS			
Weight	300 g (10.3 oz.)	300 g (10.3 oz.)	300 g (10.3 oz.)
Fiber Connector	SMA 905	SMA 905	SMA 905

¹ All values measured at case temperature (TC) = 25°C.

² Custom center wavelengths and custom spectral widths are available, some from stock. Consult your Coherent representative.

³ The numerical aperture of the output beam is defined as the sine of the half-angle of the divergence cone that encircles 90% of the energy.

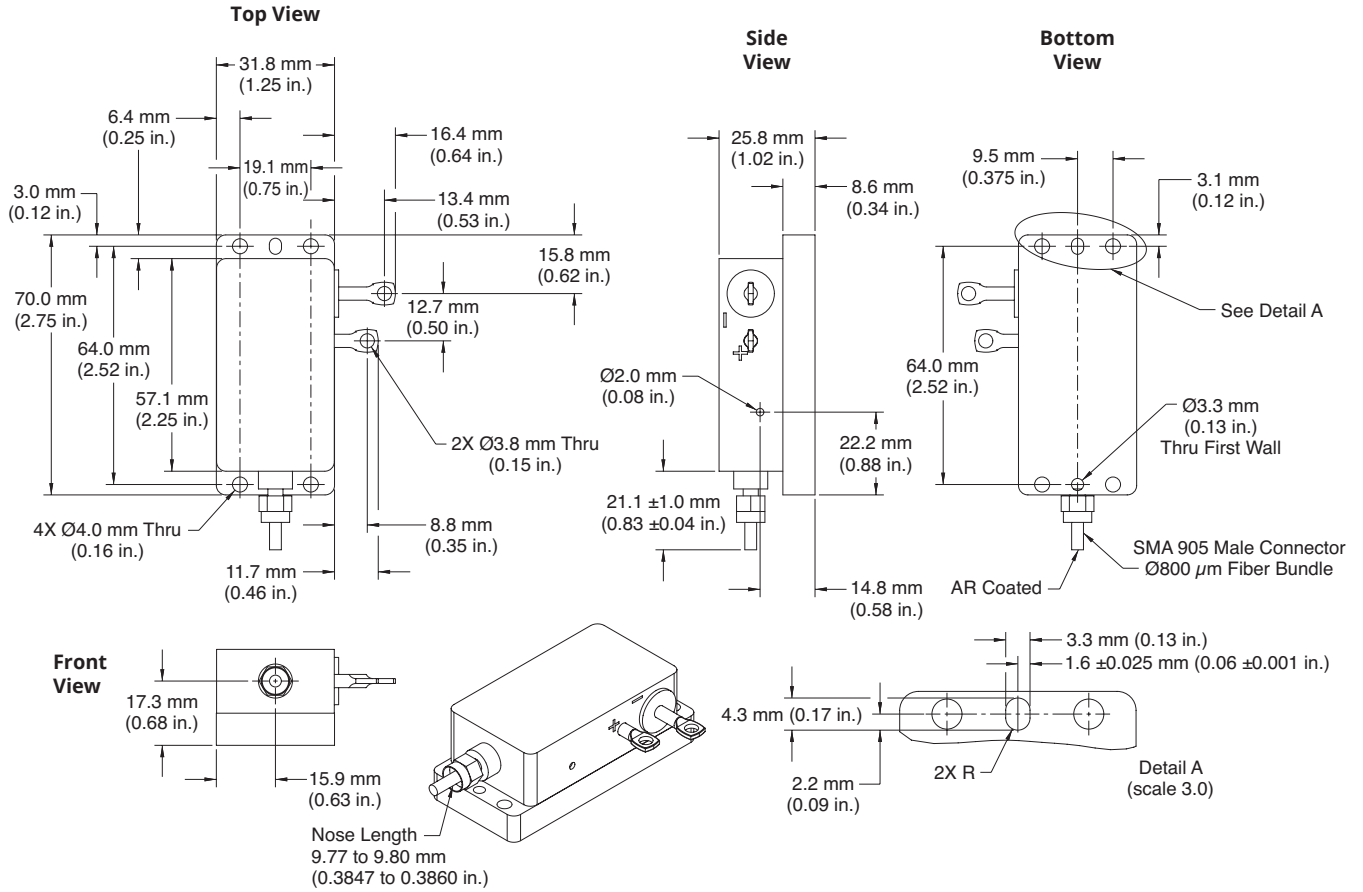
SPECIFICATIONS ¹	FAP800-50W-805.0 to811.0-FW90E<4.5-25C	FAP800-70W-800.0to 820.0-FW90E<5.0-25C
Part Number	1124386	1295614
OPTICAL SPECIFICATIONS		
CW Output Power (W)	50	70
Center Wavelength ² (nm)	808	810
Center Wavelength Tolerance (nm)	±3.0	±10.0
Spectral Width ² (nm)	<4.5	<8.0
Wavelength Temperature Coefficient (nm/°C)	0.28	0.28
Beam Divergence ³ (NA)	<0.14	<0.16
Beam Diameter (µm)	810	810
ELECTRICAL CHARACTERISTICS (typical)		
Slope Efficiency (W/A)	>0.8	>0.9
Conversion Efficiency (%)	>40	>45
Threshold Current (A)	8 to 11	11
Operating Current (A)	<65	<85
Operating Voltage (V)	<2.2	<2.2
Recommended Hookup Wire (gauge)	8 or heavier	8 or heavier
THERMAL SPECIFICATIONS		
Thermal Resistance (typical) (°C/W)	0.7	0.7
Case Operating Temperature (°C)	-20 to 30	-20 to 30
Case Storage Temperature (°C)	-20 to 60	-20 to 60
RECOMMENDED HEAT SINK		
Capacity (W)	100	100
Thermal Resistance (°C/W)	<0.1	<0.1
MECHANICAL SPECIFICATIONS		
Weight	300 g (10.3 oz.)	300 g (10.3 oz.)
Fiber Connector	SMA 905	SMA 905

¹ All values measured at case temperature (TC) = 25°C.

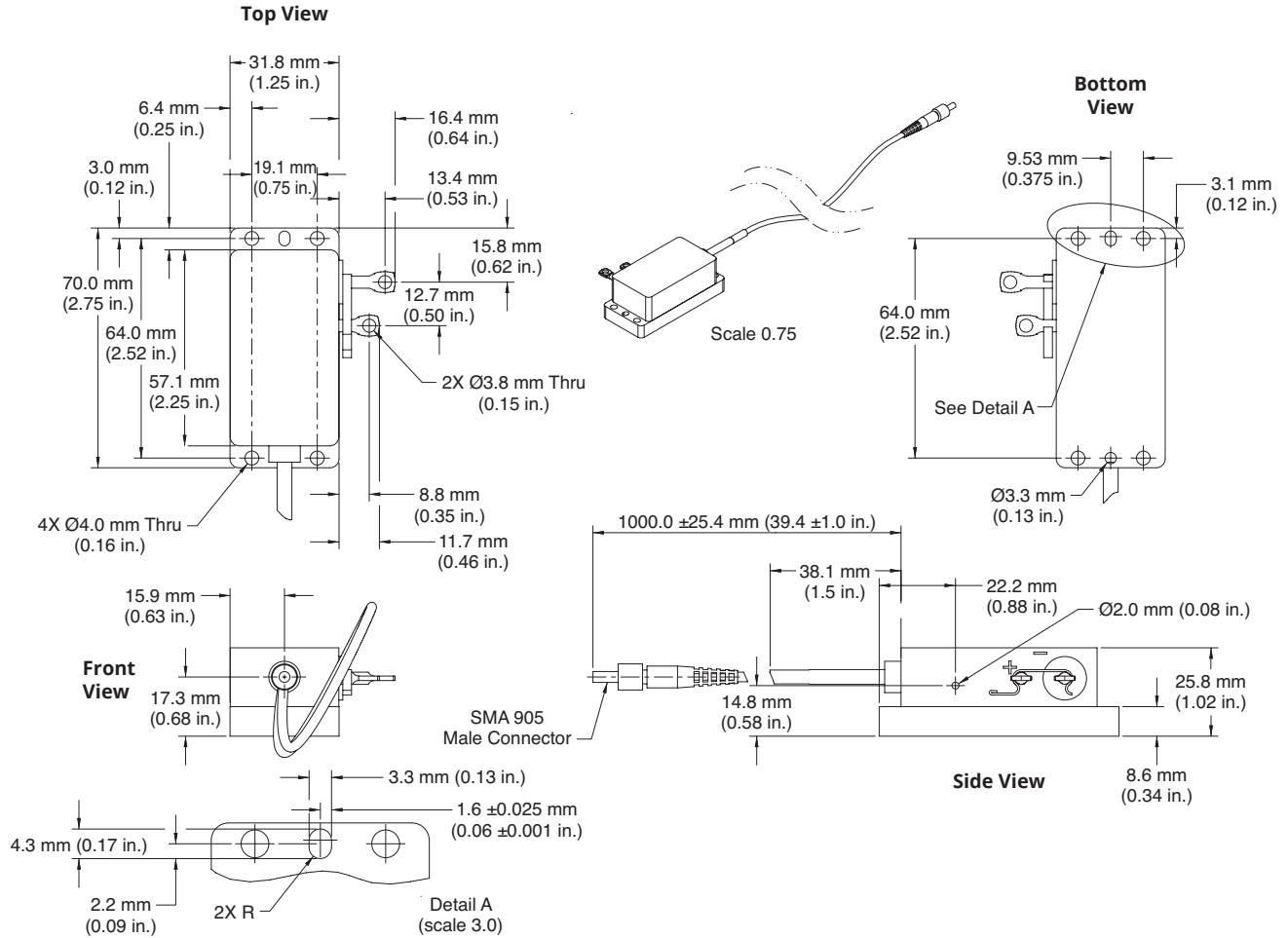
² Custom center wavelengths and custom spectral widths are available, some from stock. Consult your Coherent representative.

³ The numerical aperture of the output beam is defined as the sine of the half-angle of the divergence cone that encircles 90% of the energy.

MECHANICAL SPECIFICATIONS



MECHANICAL SPECIFICATIONS



Coherent, Inc.,
 5100 Patrick Henry Drive Santa Clara, CA 95054
 p. (800) 527-3786 | (408) 764-4983
 f. (408) 764-4646

tech.sales@Coherent.com www.Coherent.com

Coherent follows a policy of continuous product improvement. Specifications are subject to change without notice. Coherent's scientific and industrial lasers are certified to comply with the Federal Regulations (21 CFR Subchapter J) as administered by the Center for Devices and Radiological Health on all systems ordered for shipment after August 2, 1976.

Coherent offers a limited warranty for all Fiber Array Packages. For full details of this warranty coverage, please refer to the Service section at www.Coherent.com or contact your local Sales or Service Representative. Printed in the U.S.A. MC-156-04-0M0917Rev.E Copyright ©2017 Coherent, Inc.