



META 4C

Advanced Laser Machining Center

Flexible, High Speed Precision

The META 4C is the compact and powerful answer for prototype to high volume manufacturing applications.

The META 4C is the most versatile choice for precision cutting a wide range of materials, metals up to 3 mm and non metals up to 25 mm. Simple user interface and CAM software simplifies work set up and increases productivity.

FEATURES

- High power and low operating cost sealed CO₂ laser
- Auto-focus system for fast setup
- Large format cutting area
- Gull wing, dual access doors with removable pallet, front and rear pass through

OPTIONS

- Vision system for fiducial registration, rotation and scaling
- Auto-pallet loading for significant productivity of up to 60% more parts
- Extended pallet option for large substrate processing
- Choice of pallet type: Honeycomb for thin metals and organic materials and points for thicker metals

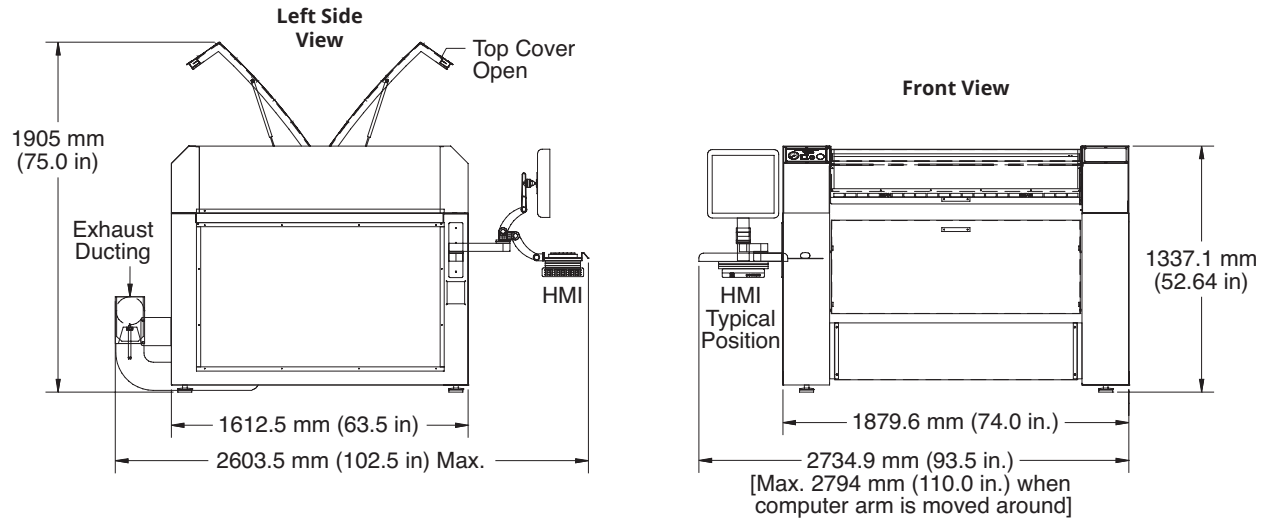


| SPECIFICATIONS | META 4C |
|--|--|
| Laser Power/Peak Power ¹ (W) | 400/1300 |
| Dimensions (L x W x H) | 1630 x 1990 x 1320 mm (64.2 x 78.4 x 52.0 in.) |
| Weight | 1136 kg (2250 lbs.) |
| Cutting Height | 1020 mm (40.0 in.) |
| Working Range | x = 1220 mm (48.0 in.) y = 1220 mm (48.0 in.) z = 300 mm (12.0 in.) |
| Maximum Speed | 50,800 mm (2000 in.)/min. cutting 91,500 mm (3600 in.)/min. rapid positioning 91,500 mm (3600 in.)/min. raster engraving |
| Positioning | Linear encoders with 2 micron resolution in closed loop with brushless servo motors |
| Accuracy ² | 25 µm (0.001 in.) positioning accuracy 5 µm (0.0002 in.) repeatability |
| Contouring | Full look-ahead contouring capability |
| Materials | Acrylic, Aluminum, Mild Steel, Stainless Steel, Wood, MDF |
| Software Interface LaserLink program including: | Windows 7 support G-code support DXF, DWG, Gerber, JPG, BMP, TIF, XML file import Full geometry editing Editable database of laser parameters Job estimator software Job management software |
| Cutting Pallets | Removable pallet system with front and rear pass-through Honeycomb or points work support |
| Pallet Area | 1.2 x 1.2m (48 x 48 in.) |
| Laser Power Control | Digital laser power control Power proportional to velocity |
| Focusing | Auto-focus, capacitive height control for metal substrates |
| Exhaust/Vacuum Bed | Vacuum material hold-down plenum External high pressure exhaust blower required |
| Cooling | External chiller |
| PC/File Server | Windows/Ethernet |
| Power (VAC) | 208 to 240, 47 to 63 Hz, three-phase, 50A Optional 400V version available |
| Safety | Safety interlocks on all covers and enclosures Class I system (Complies with 21 CFR Chapter 1, Subchapter J) |
| User Controls | Touch Screen control panel Jog, Bed height controls Home, Park, Load buttons Exhaust, gas assist controls Editing of laser settings Networked HMI workstation Auto restart |
| Environmental | Ambient temperature range of 10 to 38°C (50 to 100°F) |
| Laser Tool Capabilities | Raster engraving, marking and cutting |
| Regulatory Compliance | CE marked |

¹ These specifications are applicable as of May 2015 and are subject to change without notice.

² Accuracy quoted is under controlled conditions and measured across a 300 mm (12") distance.
Accuracy may vary depending on substrate variability, process settings and conditions in the customer facility.

MECHANICAL SPECIFICATIONS



Coherent, Inc.,
 5100 Patrick Henry Drive Santa Clara, CA 95054
 p. (800) 527-3786 | (408) 764-4983
 f. (408) 764-4646

tech.sales@Coherent.com www.Coherent.com

Coherent follows a policy of continuous product improvement. Specifications are subject to change without notice. Coherent's scientific and industrial lasers are certified to comply with the Federal Regulations (21 CFR Subchapter J) as administered by the Center for Devices and Radiological Health on all systems ordered for shipment after August 2, 1976.

Coherent offers a limited warranty for all META laser machining centers. For full details of this warranty coverage, please refer to the Service section at www.Coherent.com or contact your local Sales or Service Representative. Printed in the U.S.A. MC-005-15-0M0817Rev.A Copyright ©2017 Coherent, Inc.