

StingRay Accessories

The StingRay laser is the highest-performing laser available for measurement and profiling applications with a variety of accessories help accelerate your integration. Accessories include mounting options, remotes, and cabling.

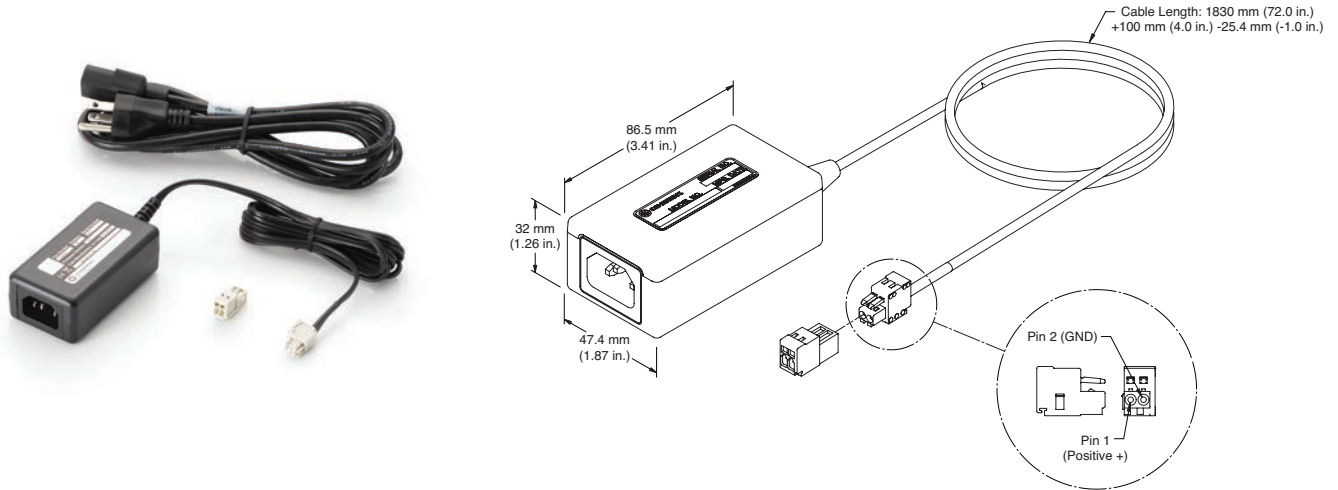
FEATURES

- Laser Power Supply
- Multi-Axis Mount
- Heat Sink Mount
- Mount Adapter Plate
- StingRay Remote
- CDRH Controller Kit
- CDRH Controller Power Supply
- 12 Pin Hirose to Flying Lead Connector
- Connection Software



StingRay Power Supply - Laser

Part Number: 1232091



StingRay Multi-Axis Mount

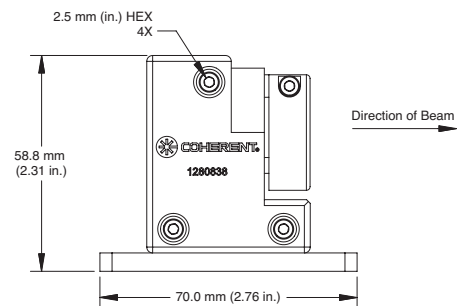
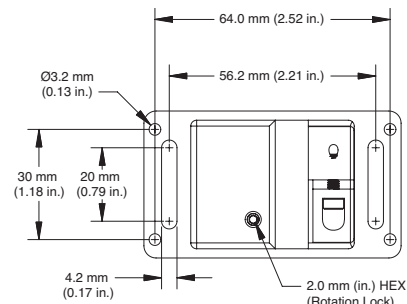
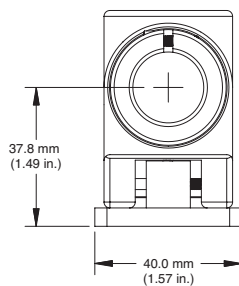
Part Number: 1280838

The StingRay Multi-Axis Mount provides the user/integrator with the capability of precision movement/alignment of the laser as it is installed into an instrument or application.

This movement consists of:

- 360-degree rotation about the laser's mechanical axis
- Tilt about the x-axis up to seven degrees

The StingRay Multi-Axis Mount provides multiple mounting options for the user, conforming to the standard StingRay/OBIS footprint. It also allows for more general mounting with two machined slots for quick installation.



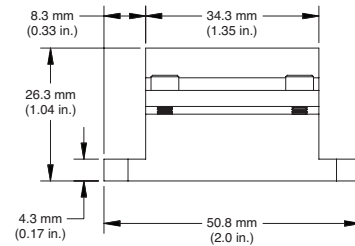
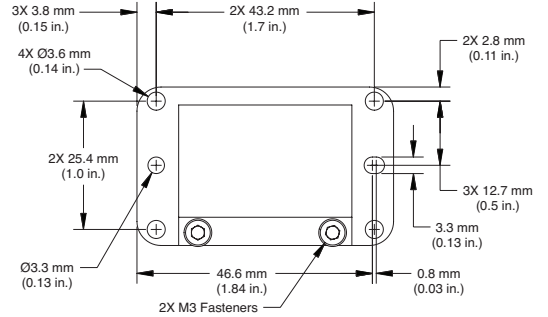
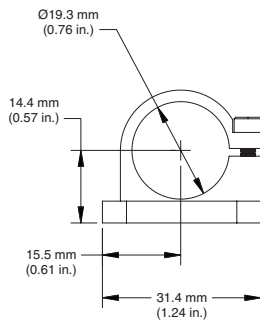
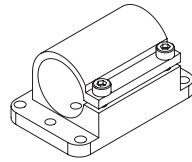
StingRay Heat Sink Mount

Part Number: 1222896

This mount is specifically designed to match the thermal management design employed in the StingRay laser family. This product offers excellent thermal and pointing stability. The mount includes four thru holes and four tapped holes with a precision pin slot for easy and repeatable mounting.



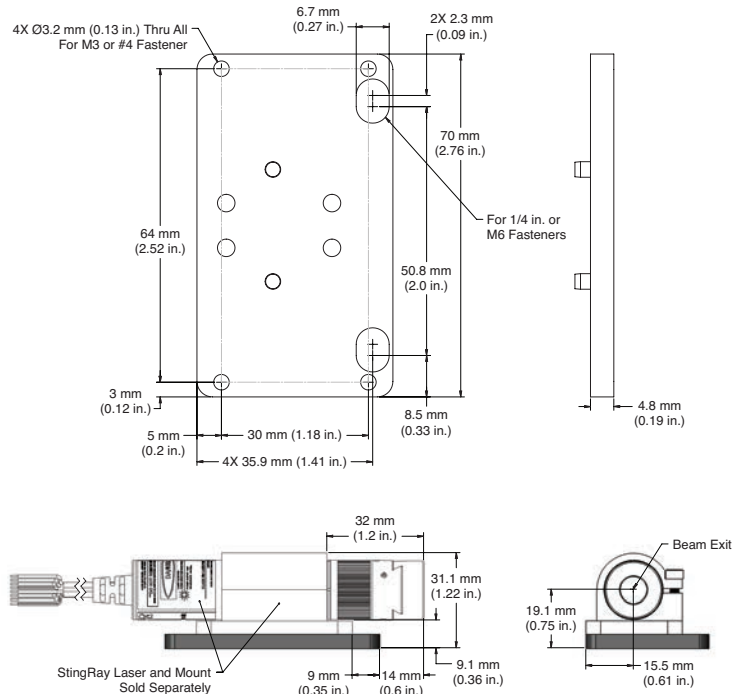
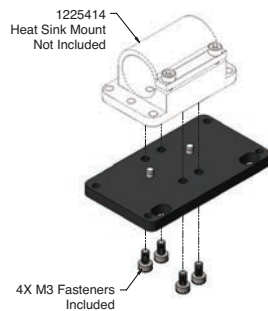
Example of Stingray Laser in the Mount



StingRay Mount Adapter Plate

Part Number: 1222894

The StingRay Heat Sink Mount Adapter Plate enables the user to adapt the StingRay to metric or English optical table or base plate for quick and easy integration.

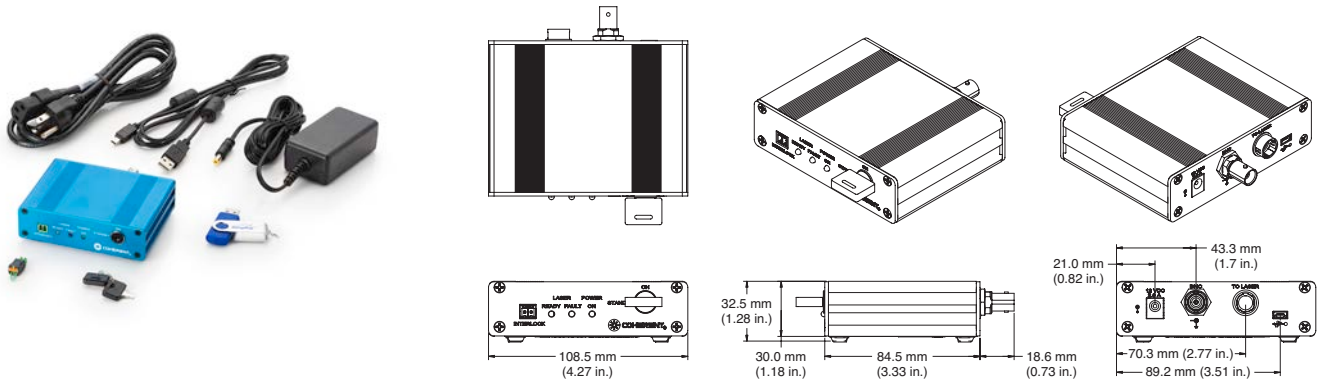


Heat Sink Mount Adapter with Heat Sink and StingRay Laser Installed

StingRay Remote Controller Kit

Part Number: 1231404

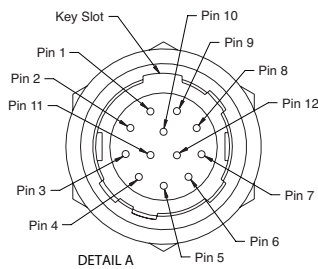
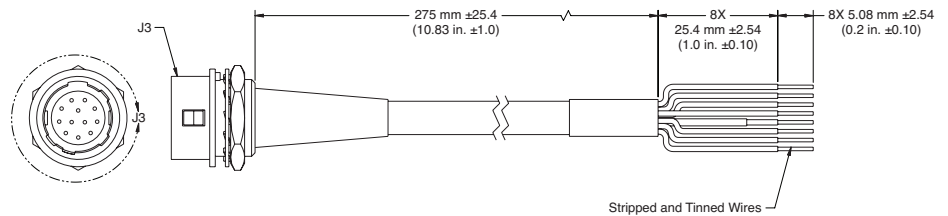
The StingRay Remote Controller Kit combines all the necessary items into a single part number for simple ordering. The kit contains the StingRay Remote (1222896), the Controller Power Supply (1105427), the Coherent Connect Software (1258561), and a USB Cable (1108906).



StingRay 12 Pin Hirose Connector to Flying Lead Break Out

Part Number: 1229640

This convenient cable provides an easy break out of the I/O signals used by the StingRay laser family. When the laser uses the Hirose Connector, this mating connector can be used to quickly convert to Flying Lead with simple access to connecting to and receiving signals from a StingRay laser.



| WIRE LIST | | | | |
|---------------------|-----------|------|----------|-------------|
| SIGNAL NAME | FROM | TO | WIRE AWG | COLOR |
| VIN | J3-9 | NC | 28 | RED |
| VIN GND | J3-1 | NC | 28 | BLACK |
| COM RX | J3-4 | NC | 28 | WHITE |
| COM GND | J3-5 | NC | 28 | WHITE/BLACK |
| COM TX | J3-6 | NC | 28 | ORANGE |
| FAULT | J3-10 | NC | 28 | GREEN |
| VMOD | J3-2 | NC | 28 | BLUE |
| VMOD GND | J3-3 | NC | 28 | RED/BLACK |
| CABLE SHIELD | SHIELD | J3-1 | - | BLACK |
| J3 CONNECTOR SHIELD | J3 SHIELD | NC | - | - |



Coherent, Inc.,
 5100 Patrick Henry Drive Santa Clara, CA 95054
 p. (800) 527-3786 | (408) 764-4983
 f. (408) 764-4646

tech.sales@coherent.com www.coherent.com

Coherent follows a policy of continuous product improvement. Specifications are subject to change without notice. Coherent's scientific and industrial lasers are certified to comply with the Federal Regulations (21 CFR Subchapter J) as administered by the Center for Devices and Radiological Health on all systems ordered for shipment after August 2, 1976.

Coherent offers a limited warranty for all Coherent StingRay Accessories. For full details of this warranty coverage, please refer to the Service section at www.coherent.com or contact your local Sales or Service Representative. MC-011-17-0M0718Rev.C Copyright ©2018 Coherent, Inc.