

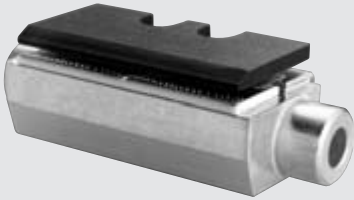


# PulseLife CW Horizontal Array

## Water-Cooled Horizontal Linear Array

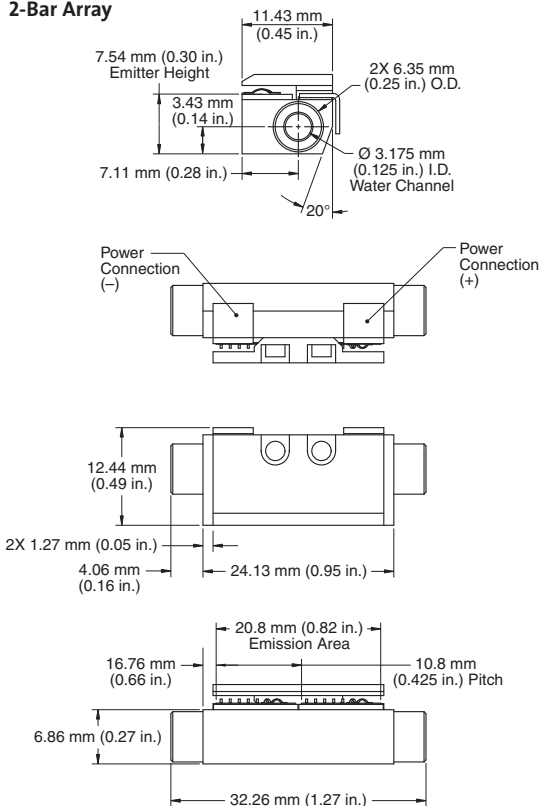
### Features

- Hard-solder indium-free die attach
- Simple, reliable (not micro-channeled) water cooling
- Patented industry-leading AAA™ (Aluminum-free Active Area) epi
- >20,000 hours MTF

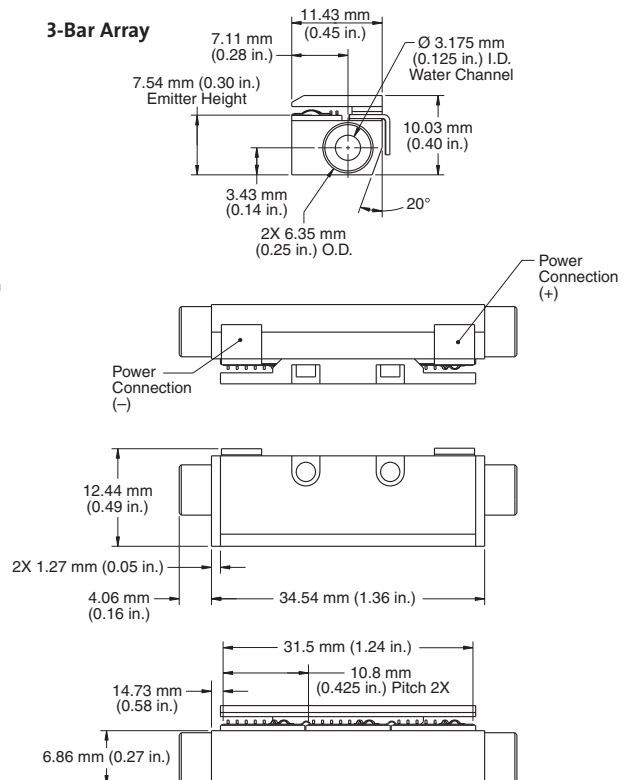


### Mechanical Specifications

#### 2-Bar Array



#### 3-Bar Array



Superior Reliability & Performance

# PulseLife™ CW Horizontal Array

## Water-Cooled Horizontal Linear Array

### Device Specifications

|   | 2-Bar Arrays                 |                              | 3-Bar Arrays                 |                              |
|---|------------------------------|------------------------------|------------------------------|------------------------------|
| CW Output Power, Total (W)                          | 80                           | 100                          | 120                          | 150                          |
| CW Output Power per Bar (W)                         | 40                           | 50                           | 40                           | 50                           |
| Center Wavelength <sup>1</sup> (nm)                 | 808 ±3                       | 808 ±3                       | 808 ±3                       | 808 ±3                       |
| Wavelength Temperature Coefficient (nm/C)           | 0.28                         | 0.28                         | 0.28                         | 0.28                         |
| Spectral Width <sup>2</sup> (FWHM)                  | <3                           | <3                           | <3                           | <3                           |
| Fast Axis Divergence (FWHM)                         | <35                          | <35                          | <35                          | <35                          |
| Slow Axis Divergence (FWHM)                         | <10                          | <10                          | <10                          | <10                          |
| Operating Current (A)                               | <50 (45 typ.)                | <60 (55 typ.)                | <50 (45 typ.)                | <60 (55 typ.)                |
| Operating Voltage (V)                               | <4.5 (4 typ.)                | <4.5 (4 typ.)                | <7 (6 typ.)                  | <7 (6 typ.)                  |
| Recommended Operating Temp. <sup>3</sup> (°C)       | 25                           | 25                           | 25                           | 25                           |
| Recommended Operating Temp. Range <sup>4</sup> (°C) | 15 to 35                     | 15 to 35                     | 15 to 35                     | 15 to 35                     |
| Storage Temperature Range <sup>4</sup>              | -40 to +60                   | -40 to +60                   | -40 to +60                   | -40 to +60                   |
| Water Flow Rate <sup>5</sup> (l/min.)               | >1.5                         | >1.5                         | >1.5                         | >1.5                         |
| Water Pressure Drop <sup>6</sup> (psi)              | <40                          | <40                          | <40                          | <40                          |
| Water Filter Size (µm)                              | ≤100                         | ≤100                         | ≤100                         | ≤100                         |
| Water Quality                                       | Distilled or clean tap water | Distilled or clean tap water | Distilled or clean tap water | Distilled or clean tap water |
| Intended Operation Mode                             | CW or QCW                    | CW or QCW                    | CW or QCW                    | CW or QCW                    |

### Absolute Maximum Ratings

|                               |     |     |     |     |
|-------------------------------|-----|-----|-----|-----|
| Forward Current (A)           | 55  | 65  | 55  | 65  |
| Reverse Current (µA)          | 25  | 25  | 25  | 25  |
| Reverse Voltage (V)           | 2   | 2   | 2   | 2   |
| Internal Water Pressure (psi) | 100 | 100 | 100 | 100 |

<sup>1</sup> At rated power and operating temperature, with water flow 1.5 lpm per array.

<sup>2</sup> At rated power and operating temperature.

<sup>3</sup> Water inlet temperature.

<sup>4</sup> In clean dry air; non-condensing environment.

<sup>5</sup> Water flow rate should be maintained at 1.5 lpm or above.

<sup>6</sup> No more than 40 psi is required to maintain water flow rate of 1.5 lpm.

Coherent follows a policy of continuous product improvement. Specifications are subject to change without notice.

Coherent's scientific and industrial lasers are certified to comply with the Federal Regulations (21 CFR Subchapter J) as administered by the Center for Devices and Radiological Health on all systems ordered for shipment after August 2, 1976.

Coherent offers a limited warranty for all PulseLife arrays. For full details of this warranty coverage, please refer to the Service section at [www.Coherent.com](http://www.Coherent.com) or contact your local Sales or Service Representative.



[www.Coherent.com](http://www.Coherent.com)

**Coherent, Inc.**  
 5100 Patrick Henry Drive  
 Santa Clara, CA 95054  
 phone (800) 527-3786  
 (408) 764-4983  
 fax (800) 362-1170  
 (408) 988-6838  
 e-mail [tech.sales@Coherent.com](mailto:tech.sales@Coherent.com)

Benelux +31 (30) 280 6060  
 China +86 (10) 6280 0209  
 France +33 (0)1 6985 5145  
 Germany +49 (6071) 968 333  
 Italy +39 (02) 34 530 214  
 Japan +81 (3) 5635 8700  
 Korea +82 (2) 460 7900  
 UK +44 (1353) 658 833